

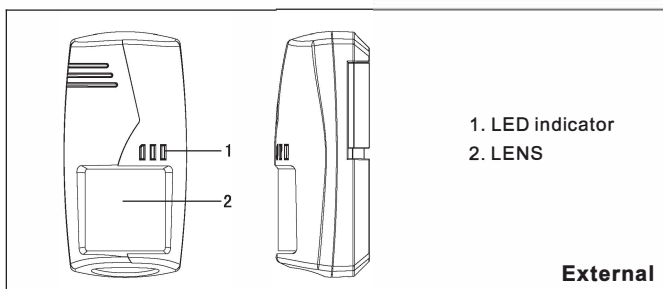
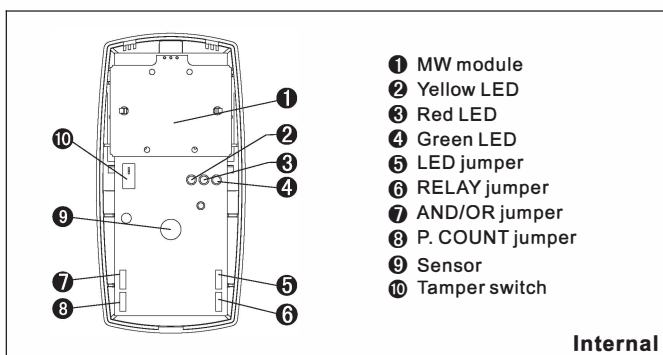
TRIPLE TECHNOLOGY PIR (WITH/WITHOUT PET IMMUNITY)



Triple technology detector combines microwave and passive infrared with intelligence software, adopting advanced signal analysis technology, can avoid various kinds of false alarms under harsh environment. It is used in banks, warehouses and houses etc.

Installation method	Wall mounted
Installation height	1.8m as the best for pet immunity , 1.8m~2.2m for non-pet immunity (from the center of the pir to the floor)
Working temperature	-10℃~+50℃
LED indicator	Red: Alarm, Yellow: Microwave, Green: Infrared
Alarm output	NC/NO optional, contact capacity: 60VDC, 400mA
Tamper switch	NC, no voltage output, contact capacity: 28VDC, 100mA
Dimension	130×63×51 (mm)

GENERAL VIEW



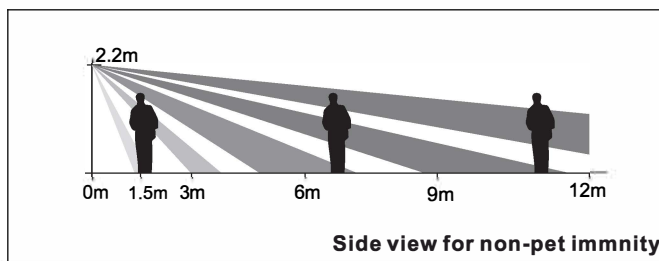
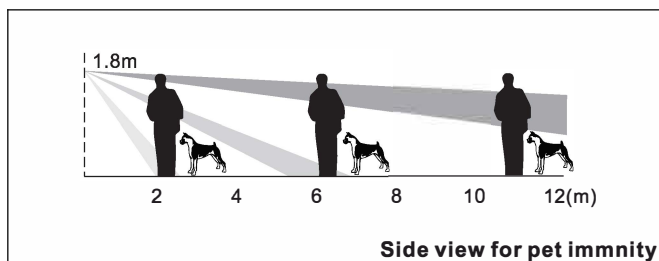
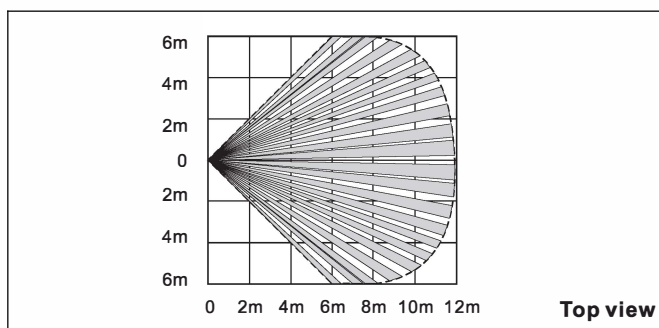
CHARACTERISTIC

- Doppler + Power analysis
- X-Band antenna
- Microwave sensitivity adjustable
- Automatic temperature compensation reducing false alarm
- Valve adjustable technology with high anti-interference
- White immunity up to 20000Lux
- LED ON/OFF optional, pulse count optional
- AND/OR function (AND means alarm for MW & PIR, OR means alarm for MW or Pir)
- N.C./N.O. optional for different alarm
- High EMI and RFI interference
- Pet immunity: ≤35kg

TECH SPECIFICATION

Working voltage	DC9-16V
Current	≤35mA(DC12V)
Detecting range	12m
Detecting angle	90°
Detecting way	MW and Pir
Sensor	Low noise Pyro sensor
Microwave antenna	Plane antenna with high frequency oscillator Ga As: FET
Microwave frequency	10.525GHZ
Pet immunity	≤35kg
Pulse count	1P or 2P optional

DETECTING RANGE



! In case the pir is without pet immunity feature, please be aware the installation height to be 1.8~2.2m. Please refer detecting range to the above drawing.

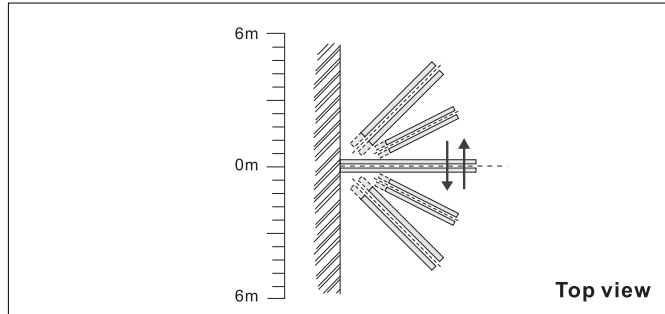
TESTING AND USAGE

1. With 12V power supply, the detector is in self-checking and red LED flash; The LED is off after 60 seconds and the detector is in operating state.
2. Making walk testing in detecting range, different LED flash: Green LED flash, infrared is ON; Yellow LED flash, microwave is ON; Red LED flash, infrared & Microwave is ON and the detector is in alarm status.
3. AND/OR jumper is used for alarm trigger. 1&2 means alarm when both microwave and infrared is triggered. 2 & 3 means alarm when either of microwave or infrared is triggered. It is set 1&2 as default.
4. P. COUNT jumper is used to select pulse count, select 1&2 for the first class pulse, which is suitable for general indoor environment, select 2&3 for the second class pulse, which is suitable for harsh environment. It is set the first class pulse as default.
5. RELAY jumper is used to set alarm output mode. Select different output mode depending specification of control: 1&2/N.O. ; 2&3/N.C. It is set N.C. as default.

6. LED jumper is used to control LED indication without interference to detector. Select 1&2 FOR LED on for alarm. Select 2&3 for LED off. LED ON jumper can be interrupted after testing for concealment.

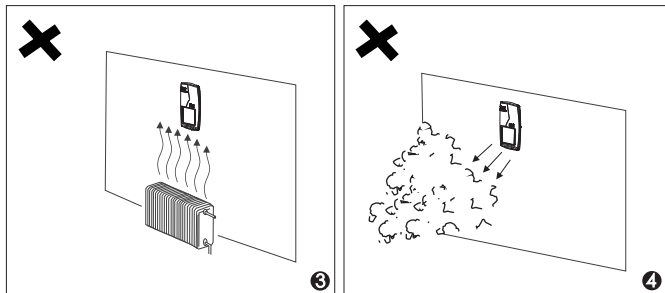
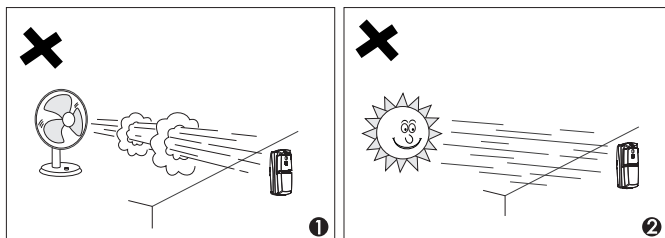
SELECTION OF INSTALLATION POSITION & NOTICE

1. The detector should be installed where the intruder is easy to be detected, and make the intruder walk through detecting range as much as possible. Suggested installation height to be 1.8m or 1.8~2.2m for non-pet immunity.



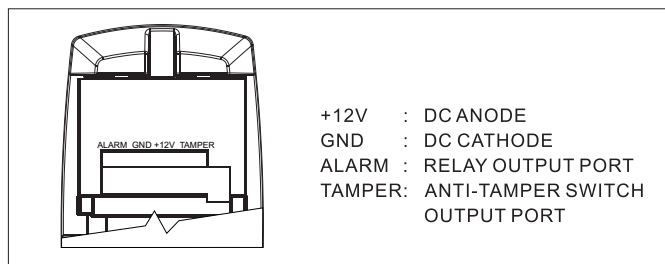
2. Avoid installing the detector close to objects which may cause rapid temperature changes, such as heaters, fans, refrigerator, ovens etc, meanwhile prevent from point-blank sunshine on the detector(See figure ①②③).

3. Keep no veil in front of the detector to ensure its normal performance(See figure ④).



4. Keep the indicator above LEN while installing.

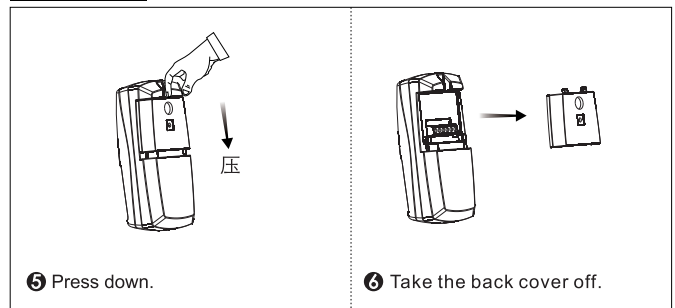
TERMINAL BLOCK



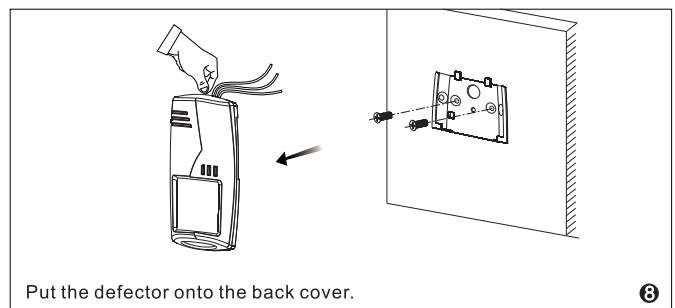
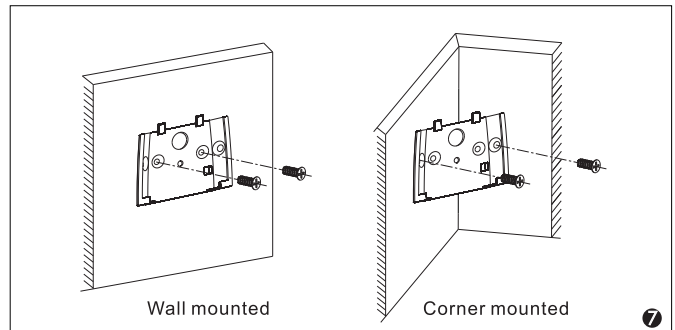
INSTALLATION

1. If to install directly on the wall, drill the four holes on the back cover. If to install in the corner, drill the holes on the side of the back cover(see Installation 01).
2. If a bracket is adopted, pls select correspondent bracket, refer to Installation 02.
3. According to TERMINAL BLOCK, do the wiring, and make the wires out of the exit, cover the cases.

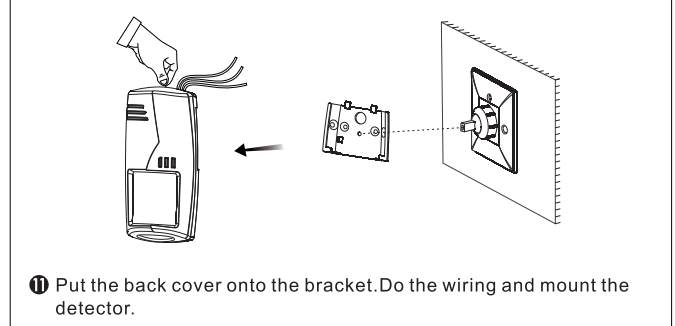
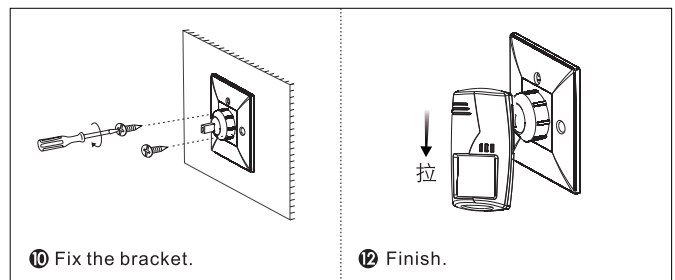
ASSEMBLY



INSTALLATION 01



INSTALLATION 02



NOTE

1. Please install and use the detector following the directions. Do not touch the sensor surface as this could result in a detector malfunction. If necessary, clean the sensor surface using a soft cloth with pure alcohol after cutting off the power.
2. Avoid to use the detector in environment with great changes of temperature.
3. This product can reduce the possibility of accident, but can not guarantee absolute safety due to some other unexpected factors, so besides using the detector correctly, please take all necessary precautions and enhance safety consciousness in daily life.