

# STEEL Y

## SMART TEMPERATURE & HUMIDITY CAMERA

### User Manual



Temperature & Humidity Inductor

- Use the included mounting template to mark and drill holes.
- Feed the camera cable through the camera base and connect the video and power cables.
- Fix the base and bracket with mount screws (or together with the drywall plugs, if needed) on to the surface.
- Release the locking ring on the bracket, adjust horizontal view angle and fasten again. Do not release the ring completely.
- Release the hexagonal screw on the bracket hinge, adjust vertical view angle and fasten again. Do not release the screw completely.

MENU	
IRIS	ELC / ALC
2-MOTOR	AF MODE / SCANNING / ONEPUSH / SYNC TON / INITIAL / RETURN
EXPOSURE	BIRGHTNESS / SHUTTER / SENS-UP / AGC / RETURN
BACK LIGHT	OFF / HLC / BLC / WDR
DAY&NIGHT	AUTO / COLOR / B&W / EXTERN
COLOR	AWB / COLOR GAIN
DNR	OFF / LOW / MIDDLE / HIGH
IMAGE	SHARPNESS / GAMMA / MIRROR / FLIP / ACE / DEFOG / PRIVACY / RETURN
MOTION	DET WINDOW / DET TONE / MDRECT FILL / SENSITIVITY / MOTION OSD / TEXT ALARM / SIGNAL OUT / RETURN
SYSTEM	FRAME RATE / FREQ / COM. / IMAGE RANGE / COLOR SPACE / COLOR BAR / LANGUAGE / CAM TITLE / RESET / RETURN
EXIT	SAVE / EXIT

**Welcome**

Thank you for purchasing our camera!  
This user's manual suits the products that you purchase. Please read this instruction manual carefully before you use this series product!  
Please keep this user's manual well for future reference.

**Important Safeguards and Warnings**

- Electrical safety and Environment**  
All installation and operation here should conform to your local electrical safety codes. Its output voltage current polarity and operation temperature must match the camera's requirement. We assume no liability or responsibility for any fires or electrical shock caused by improper handling or installation.
- Transportation Security**  
Heavy stress, violent vibrations, or moisture are not allowed during transportation, storage, and installation.
- Installation**  
Before the installation, please make sure the installation surface can sustain at least 3X the weight of the bracket and the camera. Do not apply power to the camera before completing installation. Please install the proper power Cut-off device during the installation connection. Always follow the instruction guide and the manufacturer's recommendations.
- Qualified engineers needed**  
All the examination and repair work should be done by the qualified service engineers. We are not liable for any problems caused by unauthorized modifications or attempted repair.
- Environment**  
This series camera should be installed in a cool, dry place away from direct sunlight or strong light, flammable materials, explosive substances, etc. This series camera should work on the specified working temperature. Please keep it away from the electromagnetic radiating objects and environments. Please keep the camera well ventilated. Do not allow the water and other liquids into the camera.
- Accessories**  
Be sure to use only the accessories recommended by manufacturer. Before installation, please open the package and check all the components are included. Contact your local retailer ASAP, if something is broken in your package.
- Daily Maintenance**  
Please shut down the device and then unplug the power cable before you begin daily maintenance work. Use the dry soft cloth to clean the device. If there is too much dust. Please use the water to dilute the mild detergent first and then use it to clean the device. Finally use the dry cloth to clean the device. Please put the dustproof cap to protect the CCD (CMOS) component when you do not use the camera.

### General Introduction

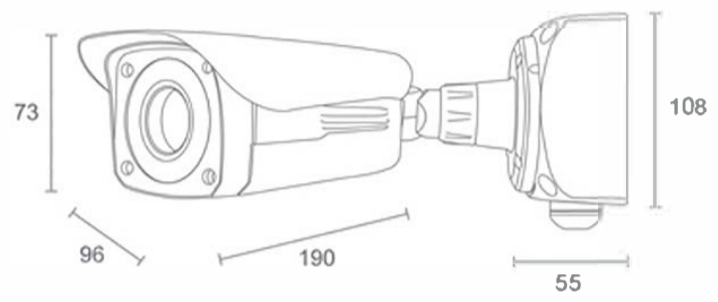
**1.1 Overview**  
This megapixel HD camera conforms to the AHD standard. It can be controlled by the DVR conforming to the AHD.

**1.2 Specifications**

Model NO	HD 4 IN 1
Image Sensor	1/3" Panasonic 34227
DSP	EN771E
Resolution	1080 P
Min. Illumination	0.0Lux(AGC OFF), 0Lux(IR ON)
Effective Pixels	1980 x 1080
Scanning System	Progressive
Sync System	Internal
Lens	3MP 2.8-12mm Motorized Lens
IR Distance	Max 42M, 42pcs $\pm 5$ LEDs
Video Output	AHD / CVI / TVI / Analog (4-in-1)
Electronic Shutter	1/25s-1/100.000s
Real WDR	OFF / LOW / MIDDLE / HIGH
3D-DNR	OFF / LOW / MIDDLE / HIGH
Sense up	X2-X32
COLOR	AWB / COLOR GAIN
HLC/BLC	OFF / ON
Day/Night	AUTO / COLOR / B&W / EXTERN
Power Supply	DC12V $\pm 15\%$
Operation Temperature	-10 $^{\circ}$ C ~ + 50 $^{\circ}$ C
Operation Humidity	Within 90%RH
Weight(net)	1400 g

### Framework and Dimensions

**2.1 Camera Dimension (Unit: mm)** 5.1 Lens Adjust The camera support autofocus function, no need to open



When connect camera to DVR and monitor, there will be data of house, warehouse, underground garage, poultry industry, etc..

### Packing Contents

Picture	Name	QTY
	Camera	1
	Wall Plugs	4
	Fixing Screws	4
	User Manual	1
	L Wrench	1

### Installation

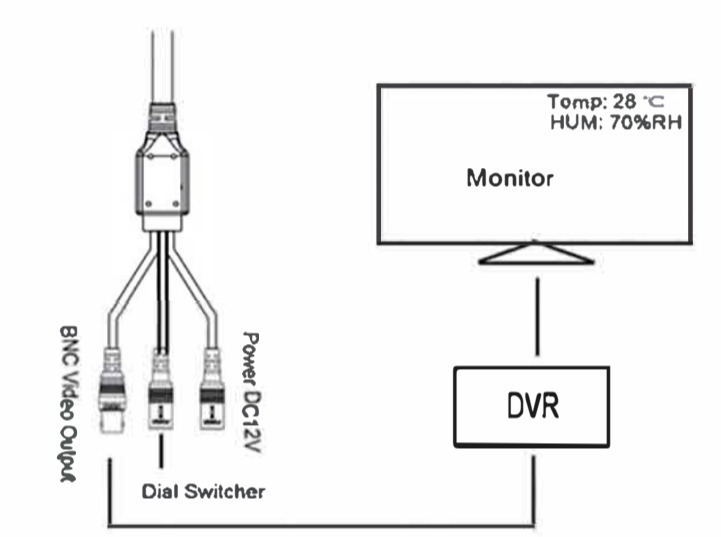
**4.1 Installation Steps**

### 5 Lens Adjustment

6.1 the camera housing. The two methods to adjust lens is to via DVR menu, PC Client Software.

### Special Function of Temperature & Humidity

6.1 Special Function Preview temperature & humidity on the screen. It can be used in green



### 7 OSD Menu

7.1 Menu OSD Preview

### 8 Special Functions

**8.1 Real WDR**  
For strong contrast of brightness and darkness areas. Real WDR will be very useful to solve the exposure in bright area and unclear image in dark area. It can be activated in "BACKLIGHT". LOW / MID / HIGH optional.

**8.2 Sens-up**  
For ultra-low illumination environment, Sens-up will strongly improve the brightness and clearance of the image. It can be activated in "EXPOSURE", OFF / X2 / X4 / X8 / X16 / X32 optional.

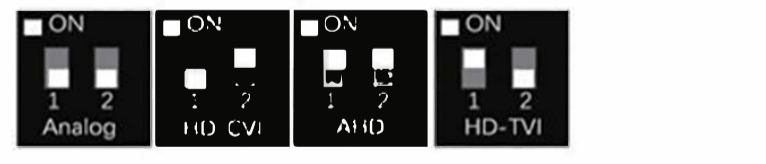
**8.3 3D-DNR**  
For many noise in the image, 3D-DNR will work on it to reduce noise. OFF / LOW / MID / HIGH optional.

**8.4 Hidden Functions**  
When exit the OSD menu, there are two hidden function.

#### A. Menu Button Special Function:

#### Dial Switcher - Output Signal

Manually push the button on below switcher to choose proper signal.



#### B. Control Lens Via Menu:

At the beginning, we must check the settings of 2-Motor menu and adjust it settings as the following:

<b>2-MOTOR</b>	
AF MODE	AUTO
SCANNING	HALF
ONEPUSH	ON
SYNC TON	ON
INITIAL	ON
RETURN	

[AF MODE]: Choosing "AUTO" to activate AutoFocus function.  
[SCANNING]: Choosing the scanning range which the camera scan and find the best focus point. HALF / FULL selectable.

[ONEPUSH]: When you choose this function, you can press three seconds to make it re-start focusing automatically.

[SYNC TON]: Setting whether the camera need to autofocus again after the changing from day mode to night mode or night mode to day mode. OFF / ON selectable.

[INITIAL]: After finish the installation of camera at the first time, when you choose this function, you can press three seconds to make it focus for one time. (This function only can be activated for one time after connecting power.) After finish the settings in the 2-MOTOR menu, you can use OSD button to control the zoom length of the camera's lens.

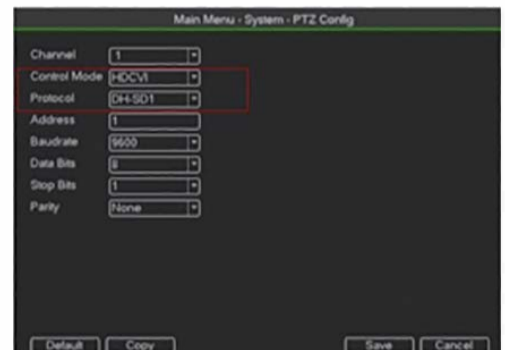
#### C. Control OSD Menu or Lens via TVR or PC ClientAVR or PC Client

#### How to control OSD via CVR?

Take Dahua's CVR as following for reference.

**Step 1:** Successfully connect the camera and USB mouse with CVR, and Login CVR system.

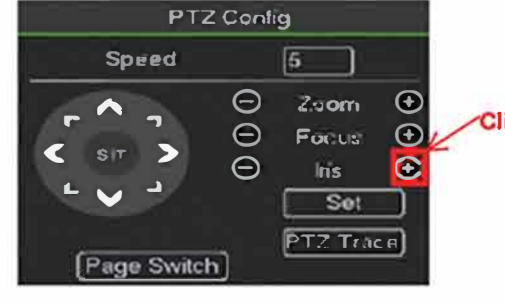
**Step 2:** Enter the PTZ Config to check whether set the right coaxial control protocol. "DH-SD1" for all channels connecting with CVI cameras.



**Step 3:** Click one channel to select the cameras.

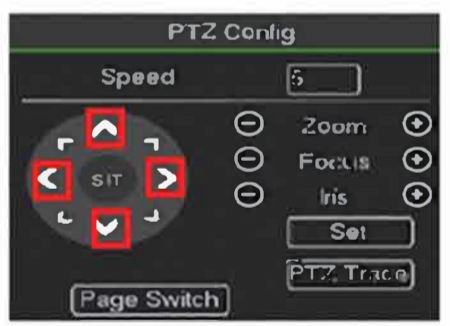
**Step 4:** Click right button of USB mouse to open right-button menu.

**Step 5:** Find PTZ Control and click it to open its sub-menu interface.



**Step 6:** Click to open the OSD menu of this camera.

**Step 7:** Click to select the function and change the settings.



**Step 8:** Click to change the focal length of the motorized lens.



Click here Wait the camera itself focus automatically.

#### Notes

- This manual is for reference only. Slight difference may be found in the user.
- All the designs and software here are subject to change without prior written notice.
- All trademarks and registered trademarks mentioned are the properties of their respective owners.
- If there is any uncertainty or controversy, Please refer to the final explanation of us.
- Please visit our website or contact your local service engineer to more information.

#### How to control OSD via PC Client Software?

Take Dahua's iVMS-4200 as reference, software information as following: After you successfully connect TVR with iVMS-4200, you can click Main View column to see the on-line cameras.

**Step 1:** Click one channel to select the camera.

**Step 2:** Find the PTZ Control menu bar in the left column and click it.



**Step 3:** Click to open the OSD menu. Also this button means Confirm, like pressing OSD button.

**Step 4:** Click to choose the wanted menu and change the settings in OSD menu.

**Step 5:** Click to change the focal length of the motorized lens.

**Step 6:** Wait the camera itself focus automatically.