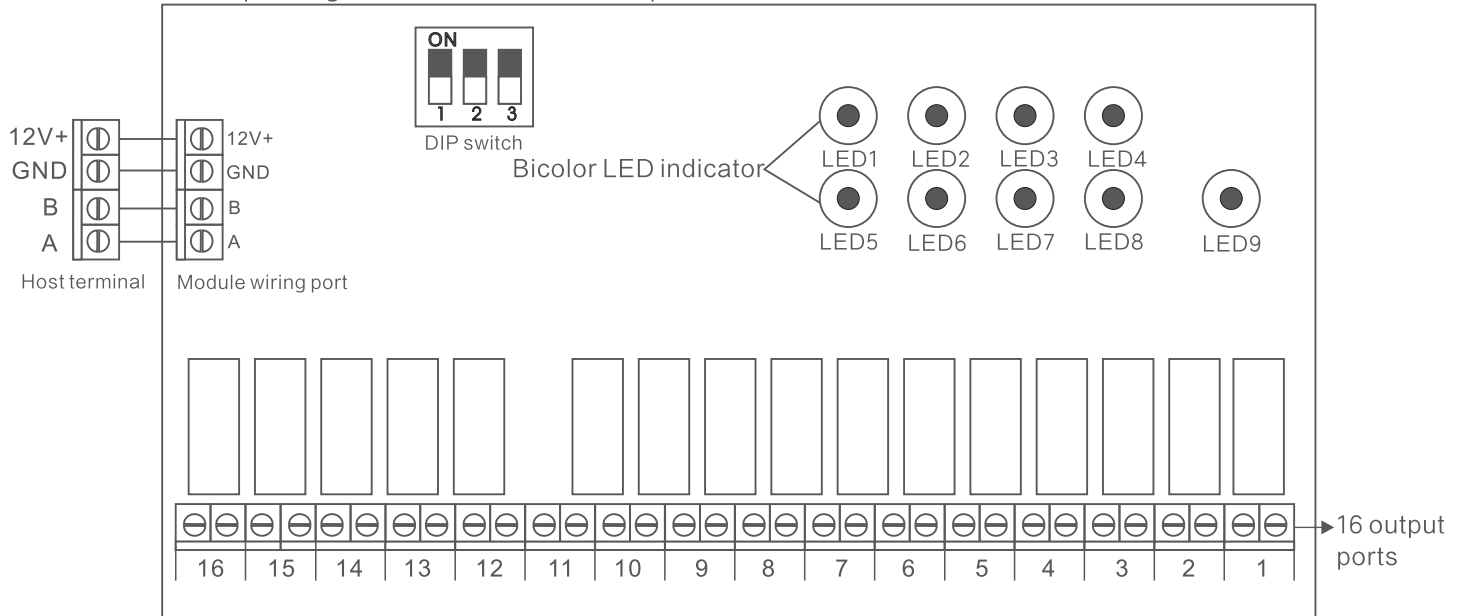




Relay module

FC-7688 Relay Module Manual

Module function: When the 7688 host alarms, the output port on the relay module corresponding to the alarm zone will be open circuit or short circuit.



Relay module plan

Relay module

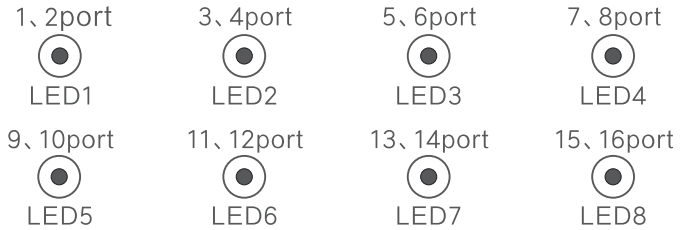


● DIP switch: There are 3 DIP switches on the relay, which can dial 8 address codes, and white represents the position of the DIP switch, as shown in the following figure:

NO.	DIP switch	Zone
1		1-16
2		17-32
3		33-48
4		49-64
5		65-80
6		81-96
7		97-112
8		113-128

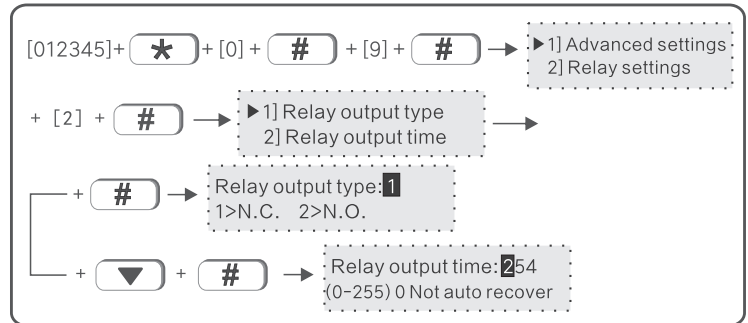
Note: FC-7688 host can be connected with 8 relay modules, each module can output 16-channel switch (factory default No. 1 relay), when multiple modules are used at the same time, each module is connected in parallel with the wiring port of the host, the module The DIP switch cannot be repeated. Please set the relay output type and output time before use (the factory default is normally closed mode).

- Power indicator: LED9 is always on when the red light is on.
- Two-color indicator: eight two-color indicators correspond to 16 output ports.



If the indicator light is on, it indicates that the corresponding output port is short-circuited, and if the indicator light is off, the corresponding output port is open.

- Keyboard setting relay: Please follow the operation below to enter the setting.



- Keyboard operation relay output again: master password +*+7+#. For example: 1234*7#.
- Keyboard operation relay reset: master password +*+8+#. For example: 1234*8#.